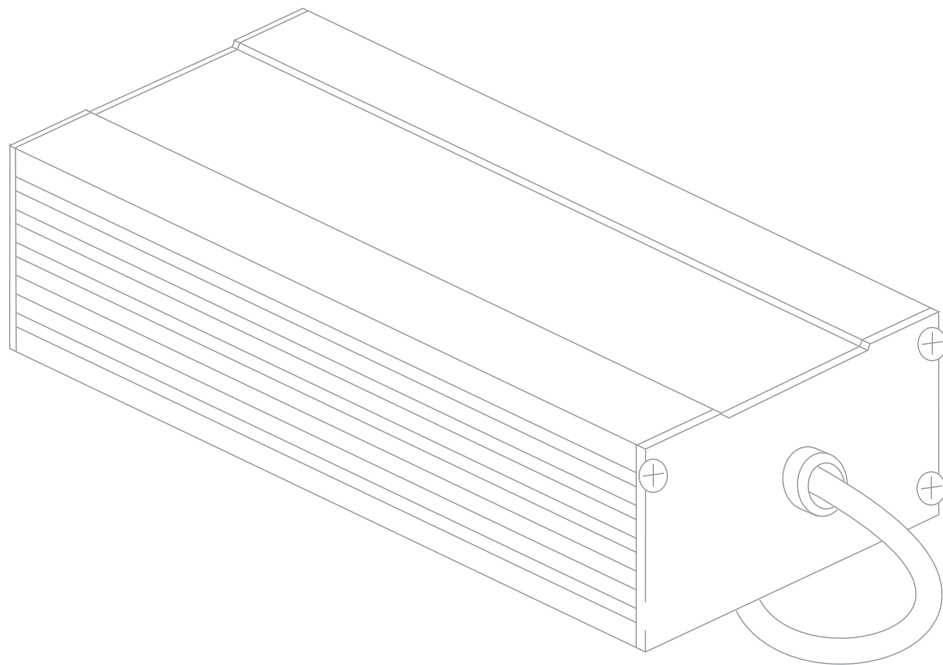




THE AUTOMOTIVE LIGHTING BENCHMARK



INSTALLATION GUIDE
LED LOAD RESISTOR



1x
(Part #: 51312)



WARNING: By reading this document, I agree it is only to be used as an educational guide. Morimoto Lighting makes no guarantee on any finished results, nor are they to be held responsible for any damage, misuse, or personal injuries. Use at your own risk. If you are unable to clearly understand and adapt the information below to your own application, professional installation is recommended.



12VDC SYSTEMS ONLY!



CAUTION: HOT!



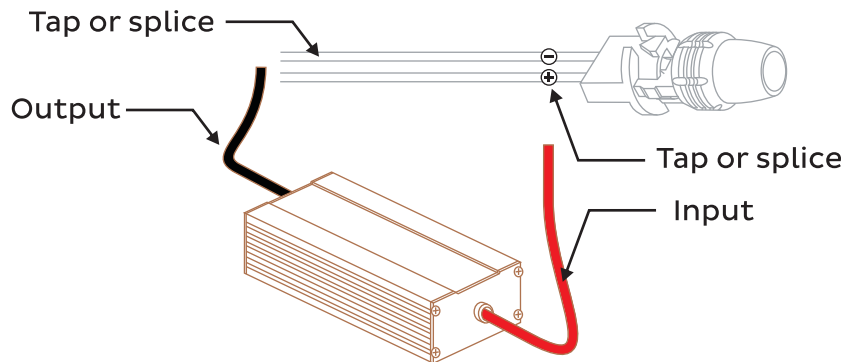
GROUND TO BARE METAL ONLY!



MOUNT EACH RESISTOR TO METAL DIRECTLY! NO PLASTIC SURFACES!

SCHEMATIC

Install Notes: the HD load resistors get very hot. As such, mount them to metal surfaces ONLY. Mounting on or close to plastics will cause melting!



-END-