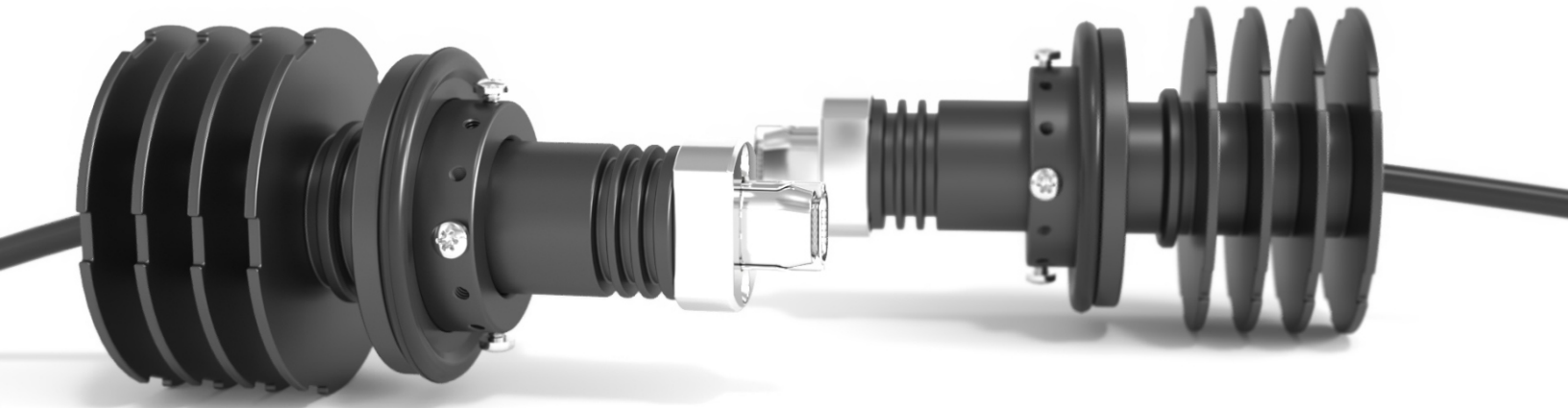


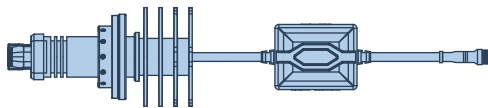
# XTR VF LED

## ASSEMBLY AND INSTALLATION GUIDE

WARNING: BY READING THIS DOCUMENT, YOU AGREE IT IS ONLY TO BE USED AS AN EDUCATIONAL GUIDE. XENONDEPOT NOR ITS DEALERS MAKE GUARANTEES ON ANY FINISHED RESULTS, NOR ARE THEY TO BE HELD RESPONSIBLE FOR ANY DAMAGE, MISUSE, OR PERSONAL INJURIES. IF YOU ARE UNABLE TO CLEARLY UNDERSTAND AND ADAPT THE INFORMATION BELOW, PROFESSIONAL INSTALLATION IS RECOMMENDED.



### DEFAULT KIT CONTENTS:



2X XTR VF LED BULBS

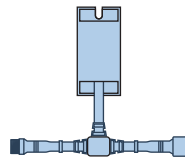
8X LOCATOR SCREWS

1X TORX KEY

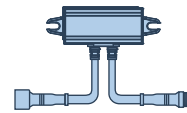
### ADDITIONAL COMPONENTS:



2X INPUT ADAPTERS  
(STYLE MAY VARY)

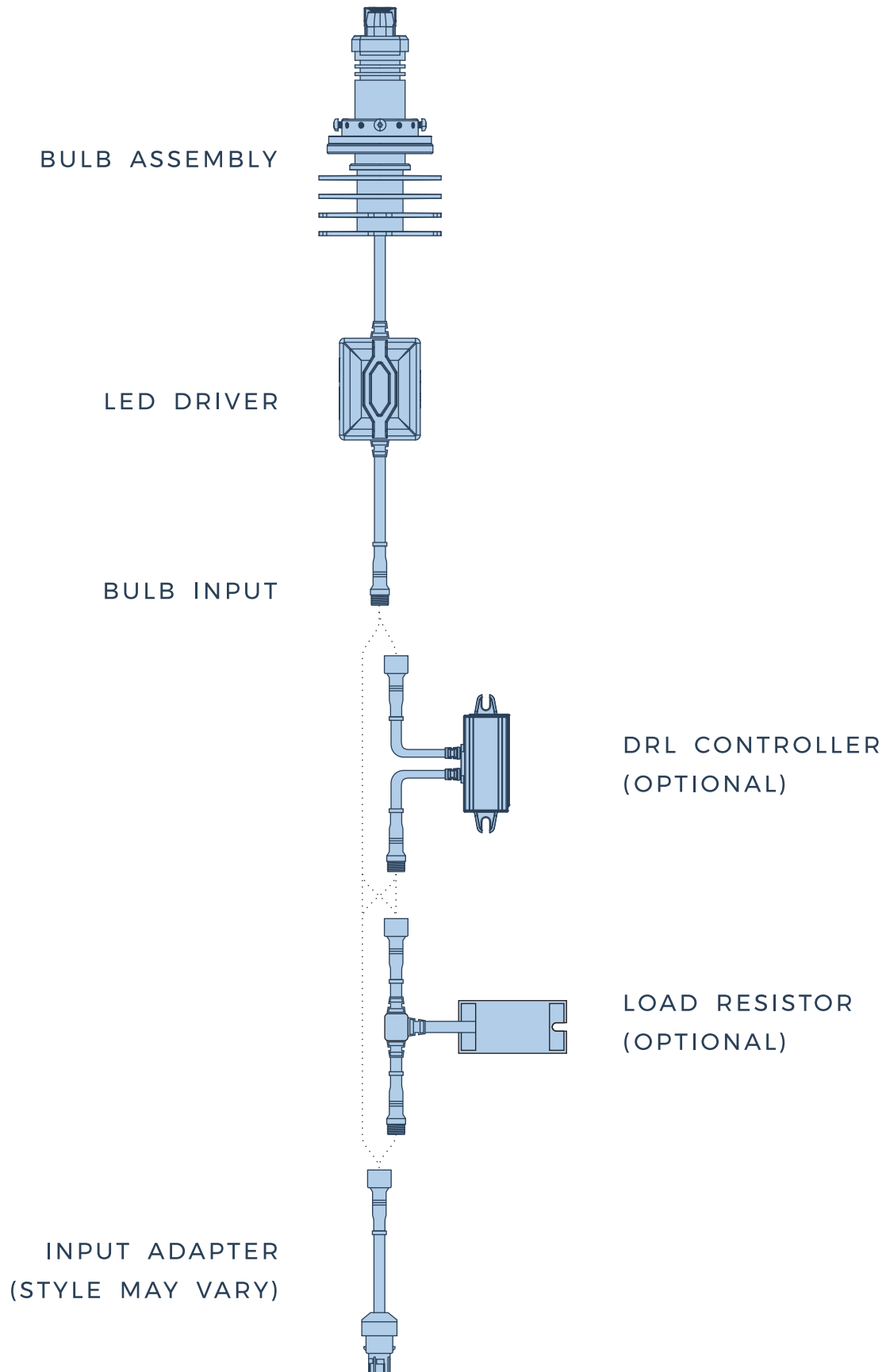


2X LOAD RESISTORS  
(OPTIONAL)



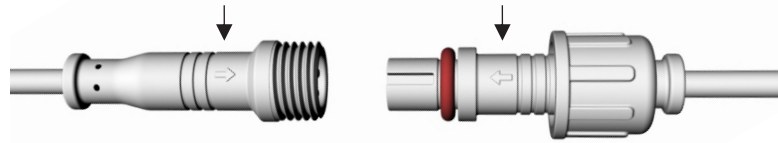
2X DRL CONTROLLERS  
(OPTIONAL)

# WIRING SCHEMATIC

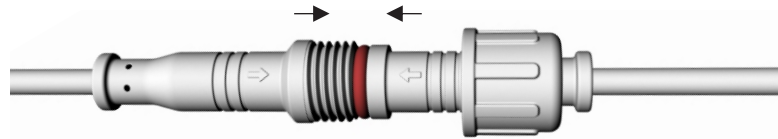


# BARREL CONNECTOR ASSEMBLY

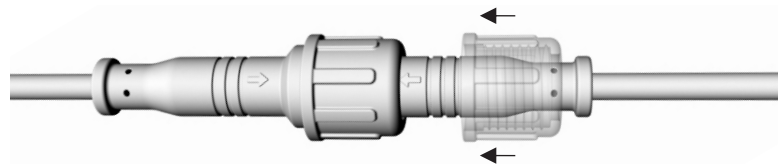
**1** ALIGN THE ARROWS ON THE CONNECTORS TO ENSURE PROPER ORIENTATION. INCORRECT ORIENTATION MAY CAUSE DAMAGE!



**2** PRESS THE CONNECTORS TOGETHER SNUGLY.



**3** SLIDE THE THREADED COVER OVER THE CONNECTION AND TIGHTEN SNUGLY. DO NOT OVERTIGHTEN AS DAMAGE MAY RESULT!

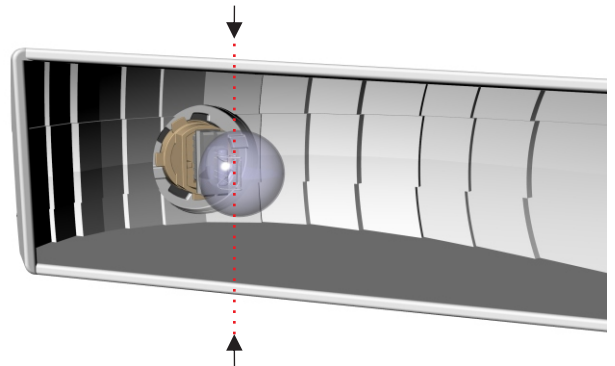


## INSTALLATION AND COLLAR ASSEMBLY

# NOTE

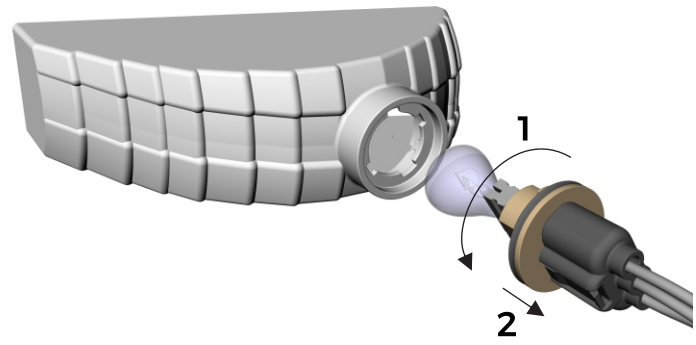
USE CAUTION WHEN HANDLING AND INSTALLING THE XTR VF BULB ASSEMBLY. THE VIRTUAL FILAMENT TIP IS ESPECIALLY FRAGILE, AND DAMAGE MAY CAUSE POOR RESULTS OR PREMATURE FAILURE.

**1** BEFORE REMOVING THE FACTORY BULB, NOTE HOW THE FILAMENT IS ALIGNED FOR A STARTING POINT OF HOW TO ALIGN THE XTR VF BULB.

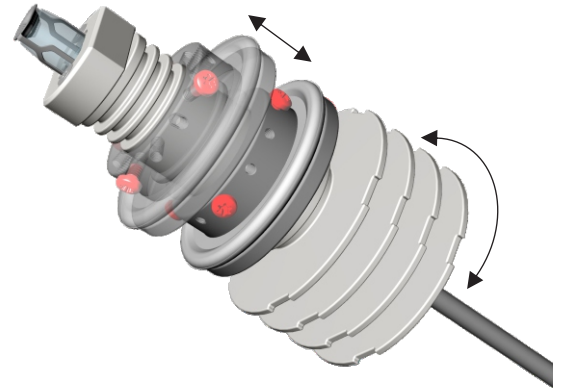




REMOVE THE FACTORY BULB HOLDER BY ROTATING IT COUNTERCLOCKWISE AND BACKING IT OUT OF THE ASSEMBLY.

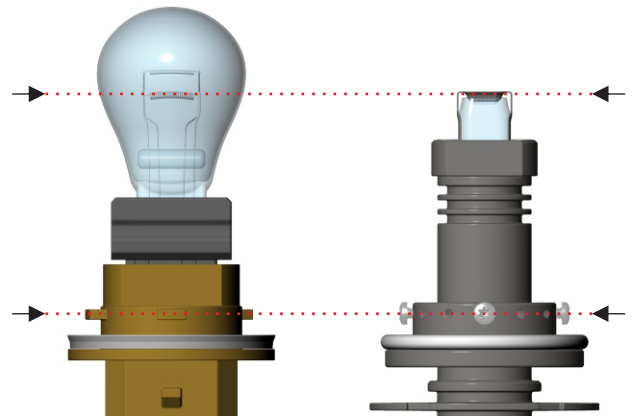


THE PROVIDED LOCATOR SCREWS SECURE THE COLLAR TO THE BULB AND LIMIT THE BULB FROM ROTATING OR TELESCOPING. IF THE COLLAR ISN'T MOVING FOR ADJUSTMENT, ENSURE THESE SCREWS ARE LOOSENED (BUT NOT REMOVED). WHEN TIGHTENING, ONLY TIGHTEN SCREWS UNTIL SNUG TO PREVENT STRIPPING.

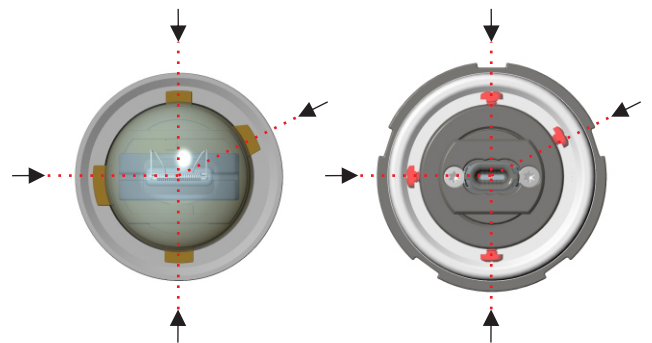


FOR CORRECT OPTICAL FOCUS, MATCH THE DISTANCE FROM THE FILAMENT TO THE MOUNTING TABS OF THE FACTORY INCANDESCENT BULB IT WILL REPLACE.

ON DUAL FILAMENT BULBS, THE THICKER FILAMENT SHOULD BE THE REFERENCE POINT.

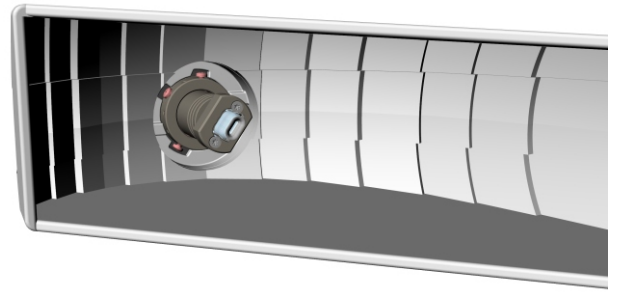


WHEN FITTING SCREWS, MATCH THE TABS OF THE BULB HOLDER IT WILL REPLACE. THIS ALLOWS THE XTR VF LED BULB TO FIT LIKE STOCK AND WITHOUT NEEDING TO MODIFY THE HOUSING OR SOCKET.



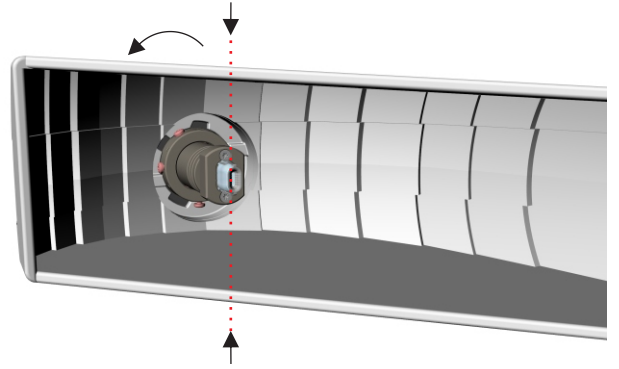
# 6

INSERT THE ASSEMBLED XTR VF LED BULB FROM THE BACK INTO THE FACTORY BULB SOCKET.



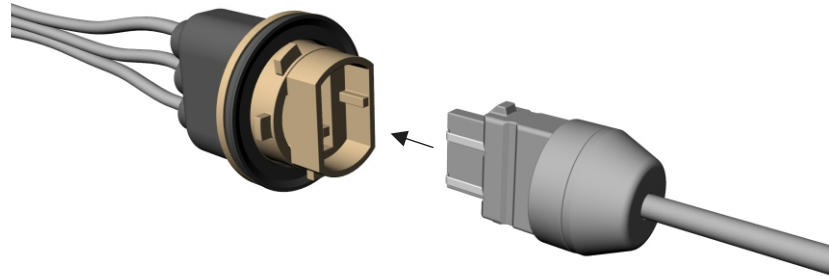
# 7

TURN THE XTR VF LED BULB CLOCKWISE, LOCKING IT INTO PLACE. IF MINOR ADJUSTMENTS ARE NEEDED, THE COLLAR SCREWS CAN BE LOOSENED SLIGHTLY, THE BULB ADJUSTED, AND THE SCREWS THEN RE-TIGHTENED.



# 8

PLUG THE XTR VF INPUT INTO THE FACTORY BULB ADAPTER. TEST THE BULB. IF THE BULB FAILS TO LIGHT, UNPLUG THIS CONNECTION, FLIP THE CONNECTOR OVER, AND RE-INSERT.



**-END-**

# 5