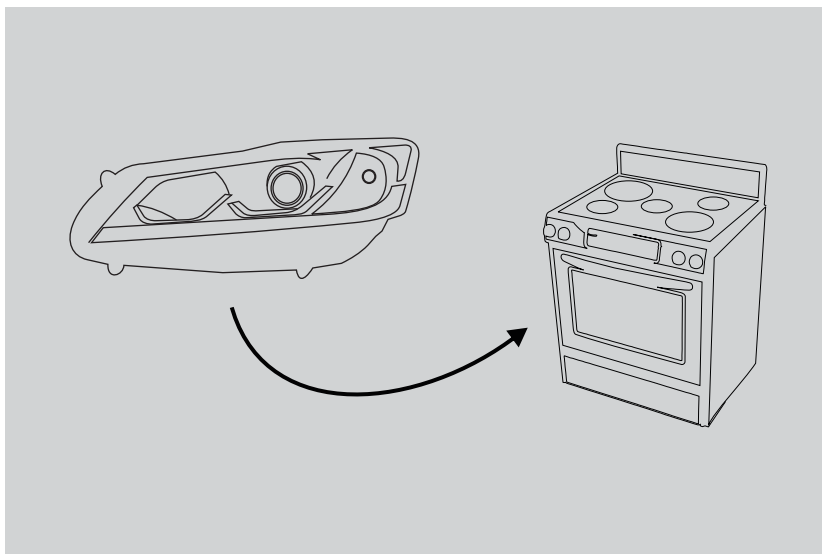


2016-2017 Honda Accord DRL Board Replacement

WARNING: By reading this document, you agree it is only to be used as an educational guide. The Retrofit Source nor its dealers make guarantees on any finished results, nor are they to be held responsible for any damage, misuse, or personal injuries. If you are unable to clearly understand and adapt the information below, professional installation is recommended.

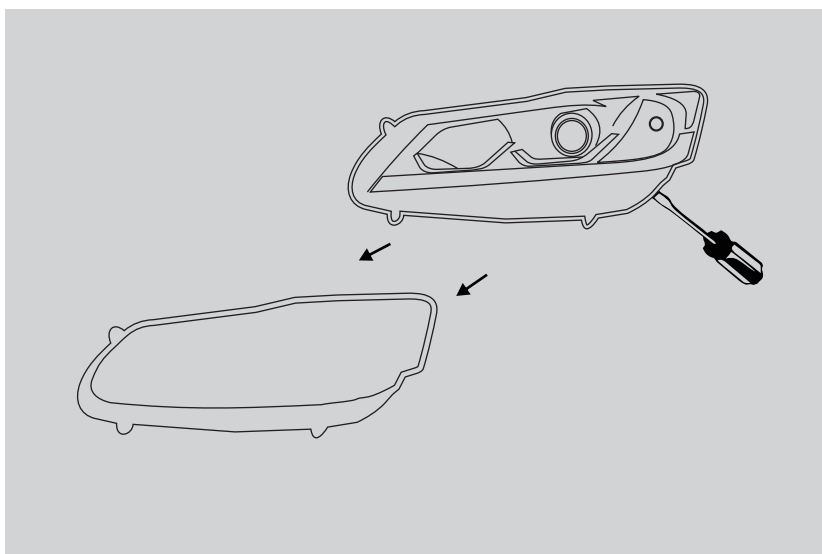
HEATING THE HEADLIGHT SEALANT

Place headlight housing in oven for seven (7) minutes at 270 Fahrenheit to soften the headlight sealant.



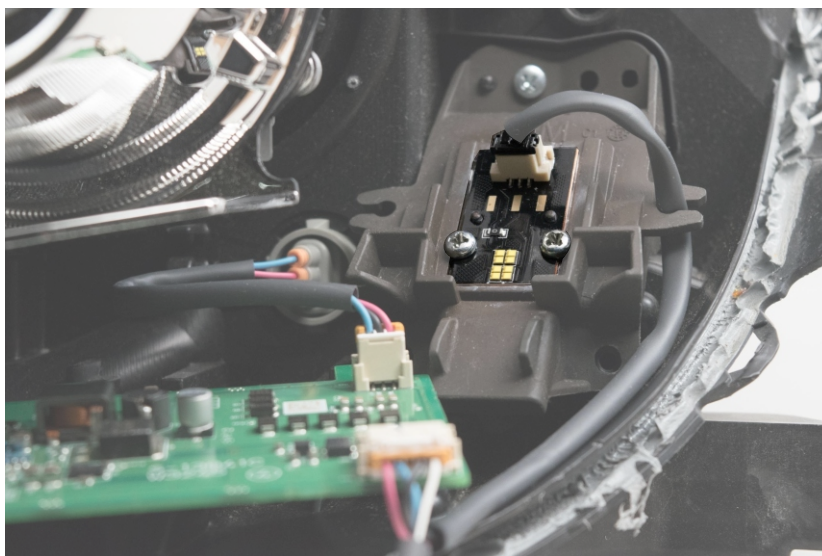
OPENING THE HOUSING

Using a flathead screwdriver, pry gently on the seam holding the two housing halves together to separate them. NOTE: Gloves are recommended.



REPLACING THE DRL BOARD

Once inside the housing, locate the pictured DRL board, which is the only piece that needs to be replaced. Un-plug the connector, back out the two Philips screws, and remove the factory DRL board. Fit the new replacement board in its place, fit the two Philips screws until snug, and plug the factory connector back in to the new DRL board.

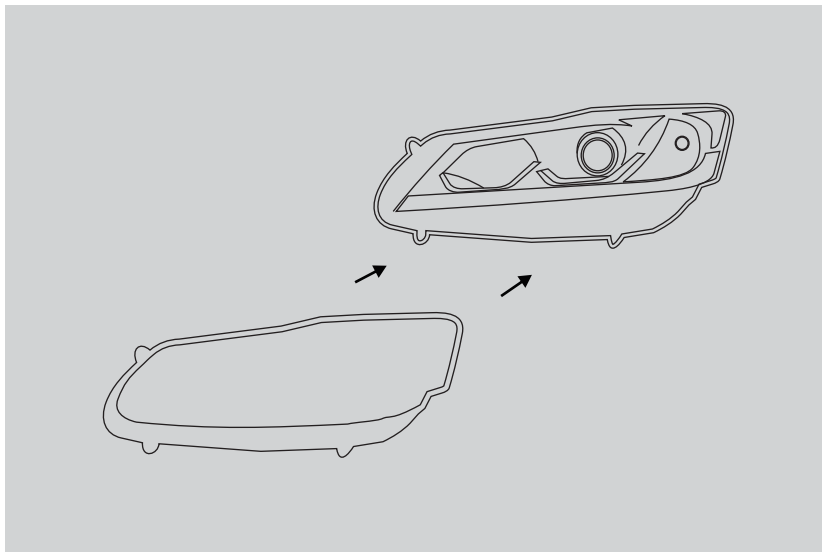


2016-2017 Honda Accord DRL Board Replacement

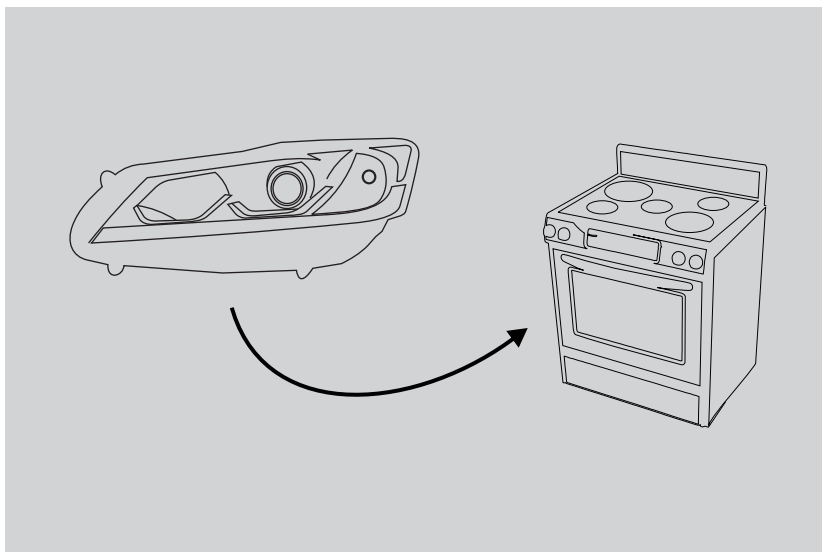
WARNING: By reading this document, you agree it is only to be used as an educational guide. The Retrofit Source nor its dealers make guarantees on any finished results, nor are they to be held responsible for any damage, misuse, or personal injuries. If you are unable to clearly understand and adapt the information below, professional installation is recommended.

RESEALING THE HOUSING

Re-fit headlight lens back over channel in headlight housing and press gently.



Place headlight housing in oven for seven (7) minutes at 270 Fahrenheit to soften the headlight sealant again.



Using pliers, squeeze the channel back together snugly to ensure the sealant creates another solid seal.

Note: Allow 30 minutes for housing to cool prior to re-installing headlight on vehicle.

