

# Round LED Warning Light - Model Trail 6 Flash

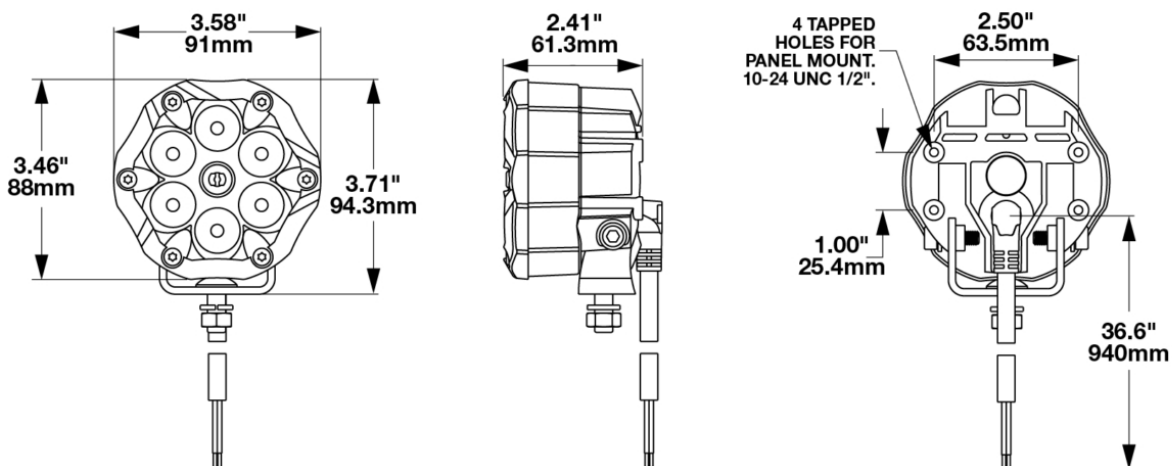
## PRODUCT INFORMATION

<b>Description</b>	12V LED Safety & Warning Light
<b>Height</b>	94.00 mm / 3.7 in
<b>Width</b>	91.00 mm / 3.58 in
<b>Depth</b>	61.30 mm / 2.41 in
<b>Shape</b>	Round
<b>Outer Lens Material</b>	Polycarbonate
<b>Outer Lens Color</b>	Clear
<b>Housing Material</b>	Aluminium
<b>Housing Color</b>	Black
<b>Bezel Color</b>	Graphite
<b>Mounting Hardware Description</b>	(x1) 8-1.25 x 20 Stainless Steel
<b>Mounting Type</b>	Pedestal/Panel
<b>Minimum Operating Temperature</b>	40 °C / 104 °F
<b>Maximum Operating Temperature</b>	80 °C / 176 °F
<b>Connector or Wiring</b>	Integrated Connector Harness
<b>Product Weight</b>	2.00 lbs / 0.91 kgs
<b>Shipping Weight</b>	2.85 lbs / 1.29 kgs



**TRAIL 6 FLASH.**

## PRODUCT DIMENSIONS



Print date: 2020-04-24

© 2020 J.W. Speaker Corporation • Germantown, WI U.S.A.  
www.jwspeaker.com • speaker@jwspeaker.com • 262.251.6660

**J.W. SPEAKER**  
Engineered. Lighting. Solutions.

# Round LED Warning Light - Model Trail 6 Flash

## ELECTRICAL SPECIFICATIONS

---

<b>Input Voltage</b>	12V DC
<b>Operating Voltage</b>	10-15V DC
<b>Red Wire</b>	Power
<b>White Wire</b>	Over-Ride
<b>Black Wire</b>	Ground
<b>Green Wire</b>	Sensitivity
<b>Current Draw</b>	0.87A @ 12V DC

## REGULATORY STANDARDS COMPLIANCE

---



Buy America Standards

Eco Friendly

## PHOTOMETRIC SPECIFICATIONS

---

<b>Raw Lumen Output</b>	690
<b>Effective Lumen Output</b>	330
<b>Candela Output</b>	10,000
<b>Beam Pattern(s)</b>	Warning - Flashing Warning

## APPLICATIONS

---



Print date: 2020-04-24

© 2020 J.W. Speaker Corporation • Germantown, WI U.S.A.  
www.jwspeaker.com • speaker@jwspeaker.com • 262.251.6660

# Round LED Warning Light - Model Trail 6 Flash

## PRODUCT WARNINGS

---

For California residents:

⚠ **WARNING:** Cancer and reproductive harm - [www.P65Warnings.ca.gov](http://www.P65Warnings.ca.gov).

⚠ **AVERTISSEMENT:** Cancer et effet nocif sur la reproduction - [www.P65Warnings.ca.gov](http://www.P65Warnings.ca.gov).

## ACCESSORIES

---



**Part Number**

**8200563**

Appearance Kit - White  
ABS

## RELATED PRODUCTS

---



**Part Number**

**8200543**

APPEARANCE KIT -  
BLACK

**TRAIL 6 FLASH**



**Part Number**

**8200553**

Appearance Kit - RED

---

Print date: 2020-04-24

© 2020 J.W. Speaker Corporation • Germantown, WI U.S.A.  
[www.jwspeaker.com](http://www.jwspeaker.com) • [speaker@jwspeaker.com](mailto:speaker@jwspeaker.com) • 262.251.6660