

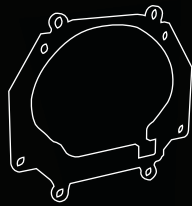


INSTALL GUIDE

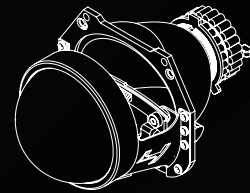
BMW E46 ZKW RETRO-QUIK RETROFIT KIT

WARNING: By reading this document, you agree it is only to be used as an educational guide. Morimoto Lighting nor its distributors make guarantees on any finished results, nor are they to be held responsible for any damage, misuse, or personal injuries. Use at your own risk. If you are unable to clearly understand and adapt the information below, professional installation is recommended.

PACKAGE CONTENTS



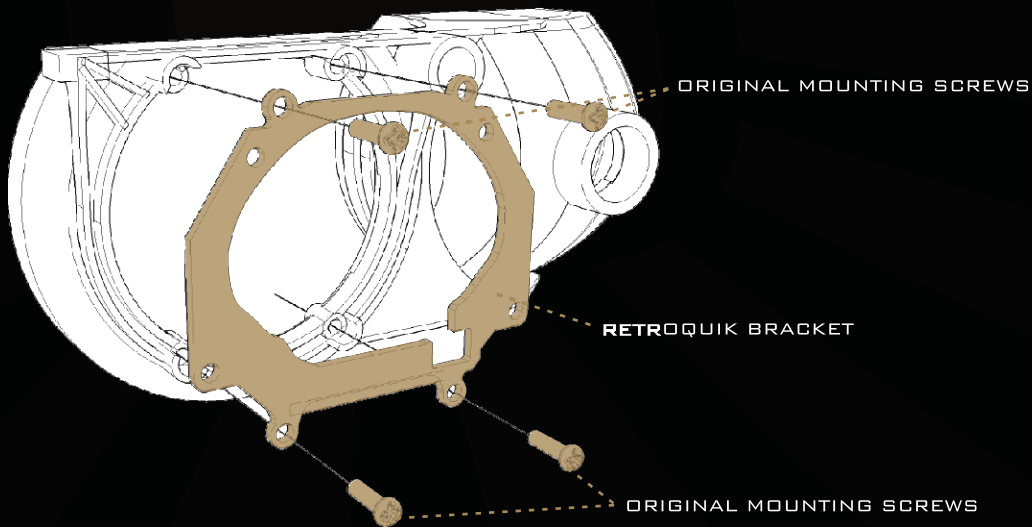
2X RETROQUIK BRACKETS
WITH HARDWARE



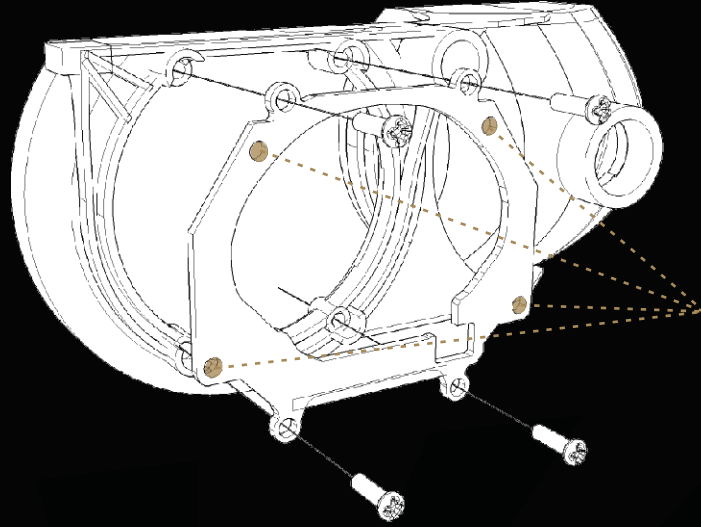
2X MINI D2S 4.0
PROJECTORS

INSTALLATION PROCESS

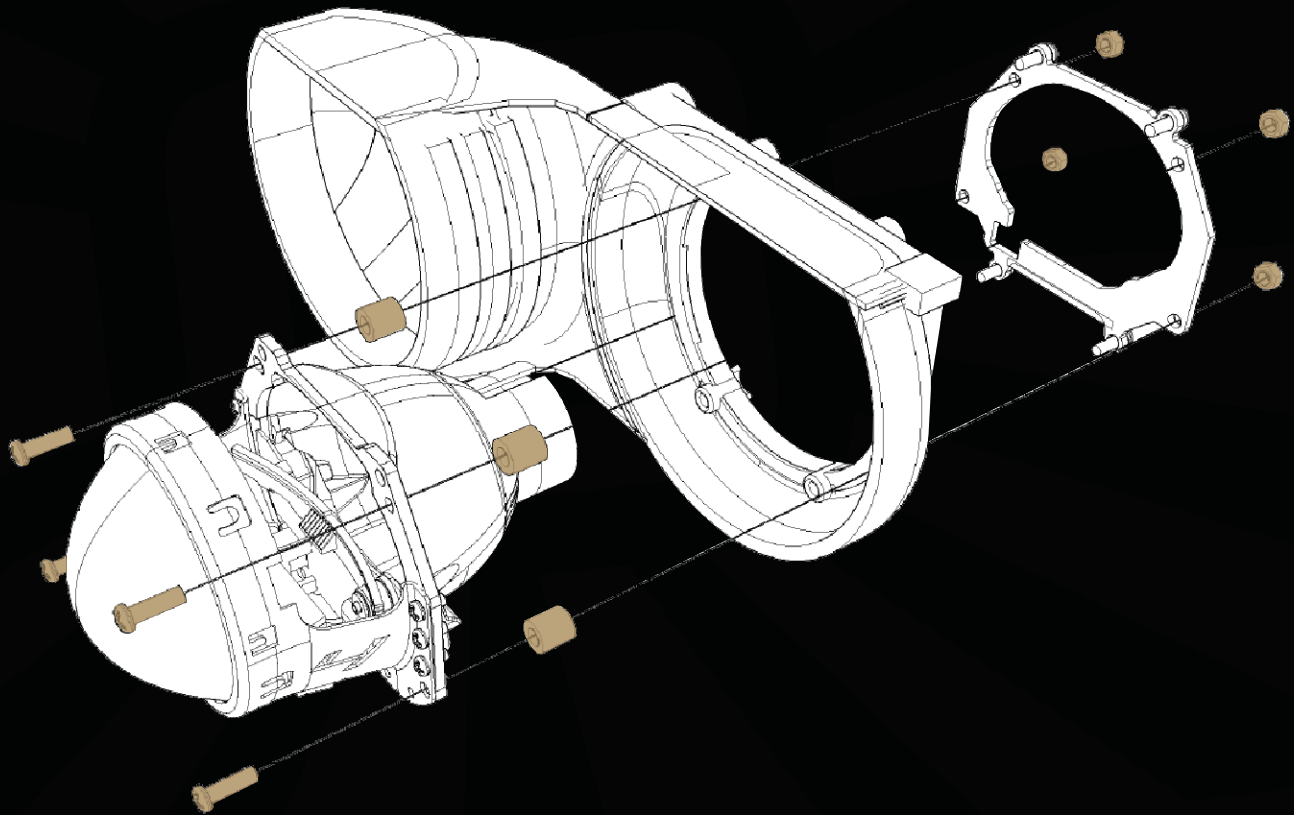
Begin by removing the stock projector from behind, retaining the four original mounting screws. Fit the Retro Quik bracket as shown and re-install original mounting screws. Tighten until snug.



At the four locations indicated, trim the stock headlight bracket to allow for the new projector and its mounting hardware to be fitted against the front of the RetroQuik bracket. If unsure, test fit the projector from the front to see where it contacts the stock bracket, then trim accordingly.



Fit the included M3 screws from the front, through the four mounting holes on the Mini D2S projector. Next, slide the included 20mm spacers on to the screws, and fit the projector assembly to the RetroQuik bracket already mounted in the housing. At the rear, install and snug-fit the nylon locking nuts.



To either re-fit the stock shroud or fit the new E46-R replacement shroud, we recommend a suitable two-part epoxy such as JB Kwik Weld to retain the shroud on the Mini D2S projector.

