

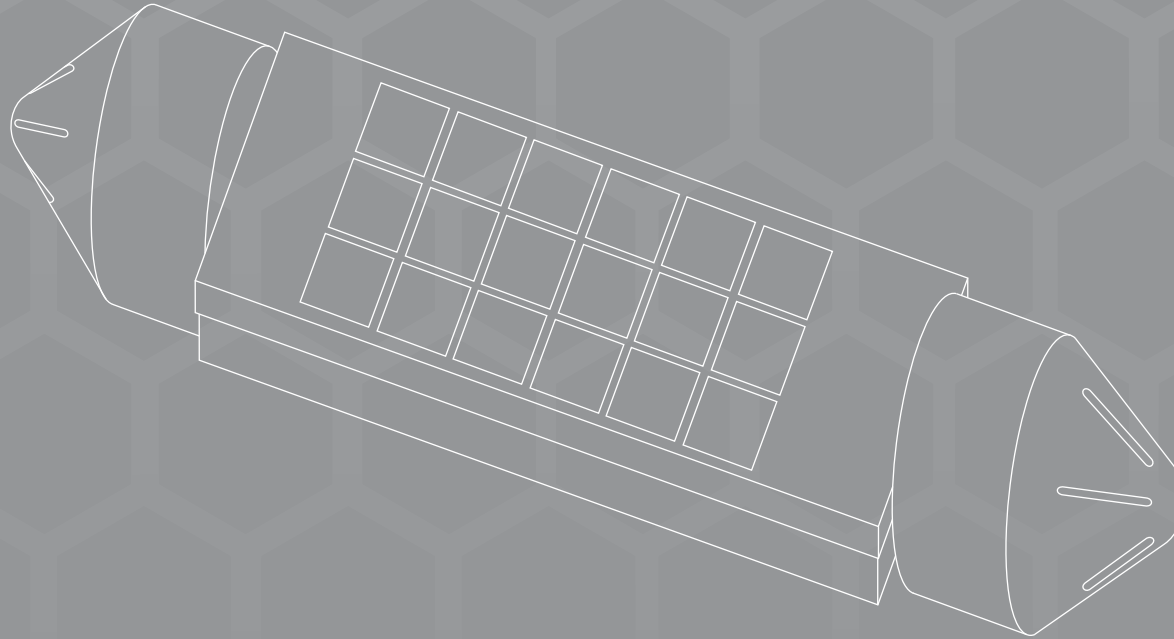


THE RETROFIT SOURCE
The Best Brands in Automotive Lighting

support@theretrofitsource.com
404.220.7940

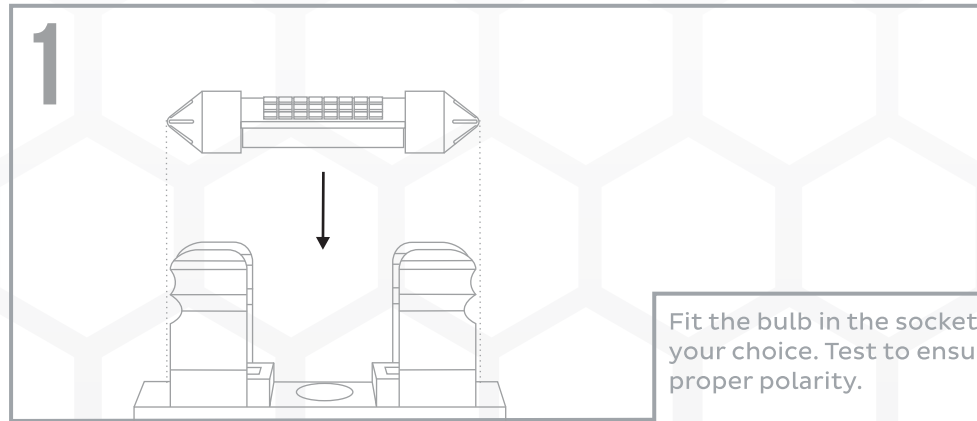
INSTALLATION GUIDE:

FESTOON LED BULBS

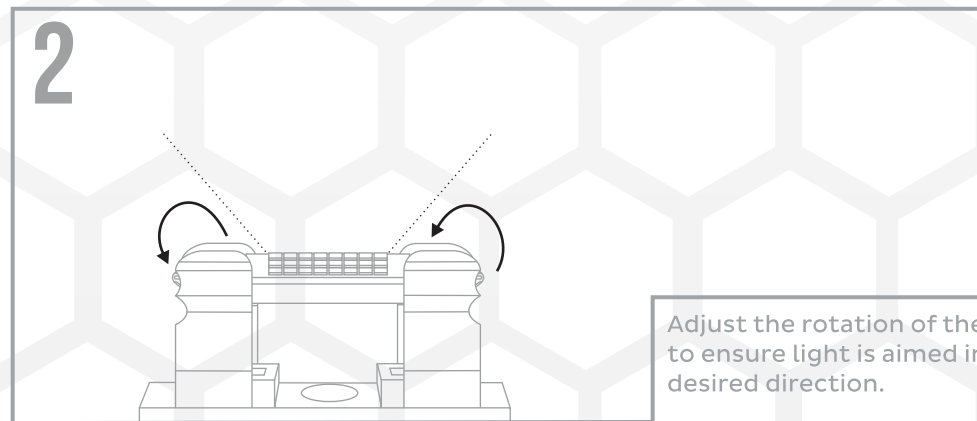




WARNING: By reading this document, I agree it is only to be used as an educational guide. The Retrofit Source makes no guarantee on any finished results, nor are they to be held responsible for any damage, misuse, or personal injuries. Use at your own risk. If you are unable to clearly understand and adapt the information below to your own application, professional installation is recommended.



Fit the bulb in the socket of your choice. Test to ensure proper polarity.



Adjust the rotation of the bulb to ensure light is aimed in the desired direction.

-END-