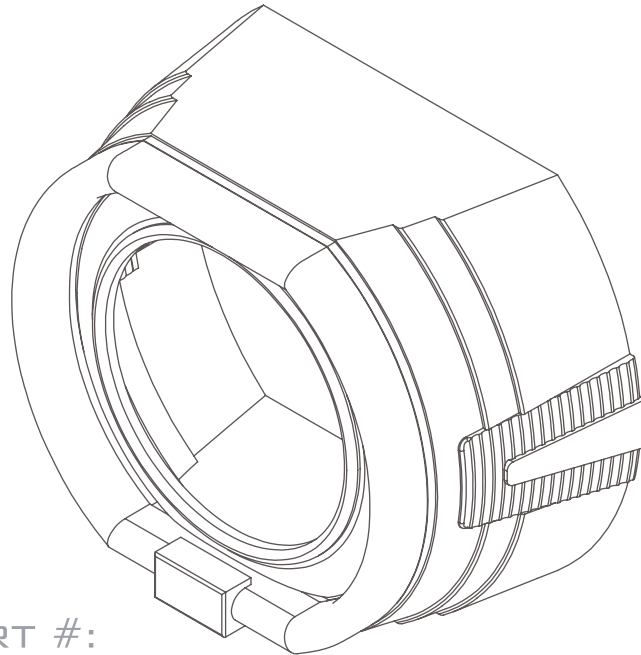




THE AUTOMOTIVE LIGHTING BENCHMARK



PART #:
S40

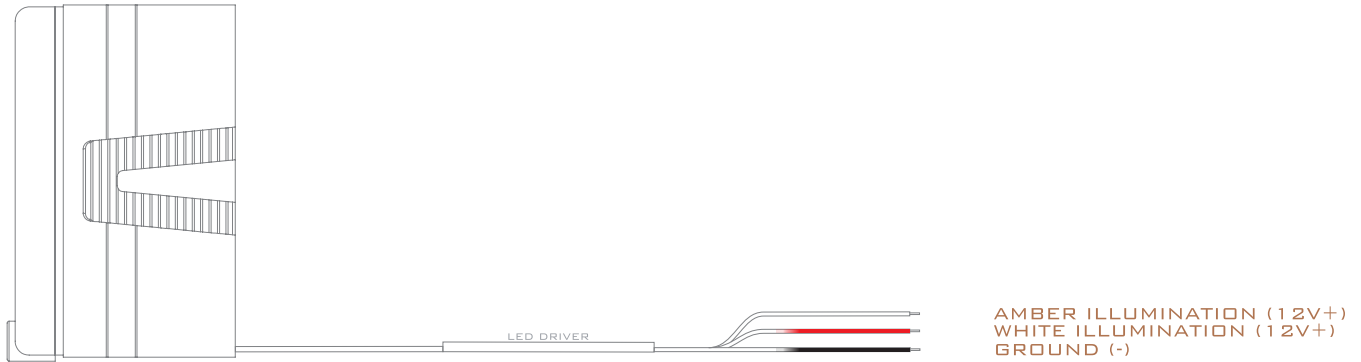
INSTALLATION GUIDE

MINI X5-R

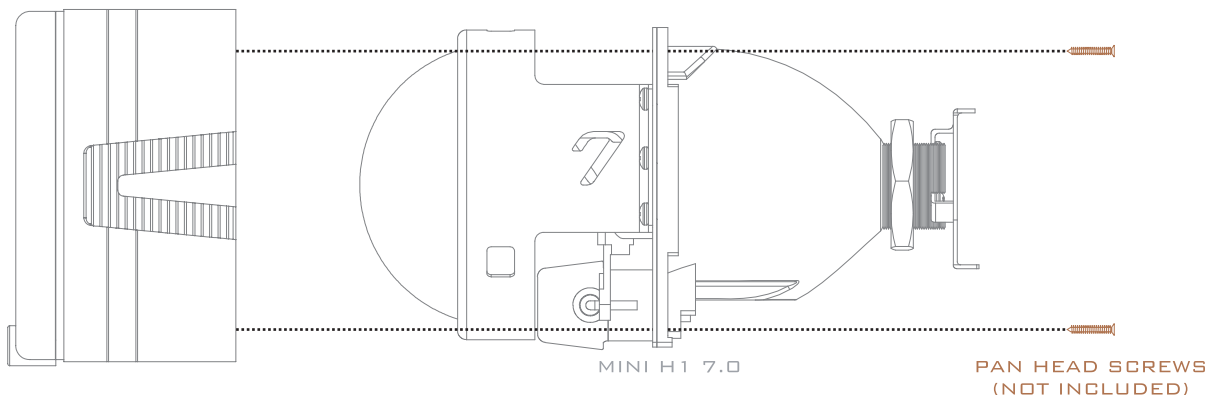


WARNING: By reading this document, I agree it is only to be used as an educational guide. Morimoto Lighting makes no guarantee on any finished results, nor are they to be held responsible for any damage, misuse, or personal injuries. Use at your own risk. If you are unable to clearly understand and adapt the information below to your own application, professional installation is recommended.

SHROUD WIRING SCHEMATIC



SHROUD INSTALL DIAGRAM



-END-