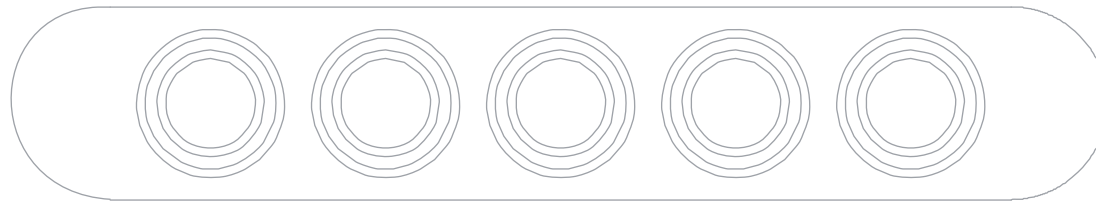




THE AUTOMOTIVE LIGHTING BENCHMARK







INSTALLATION GUIDE
5STOP BRAKE LIGHT

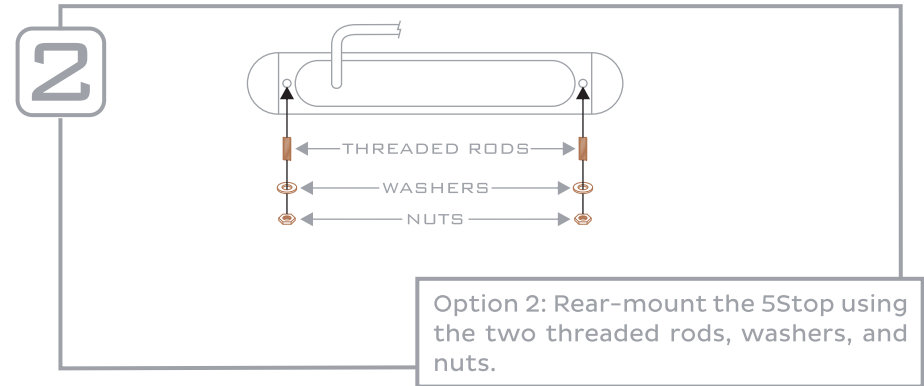
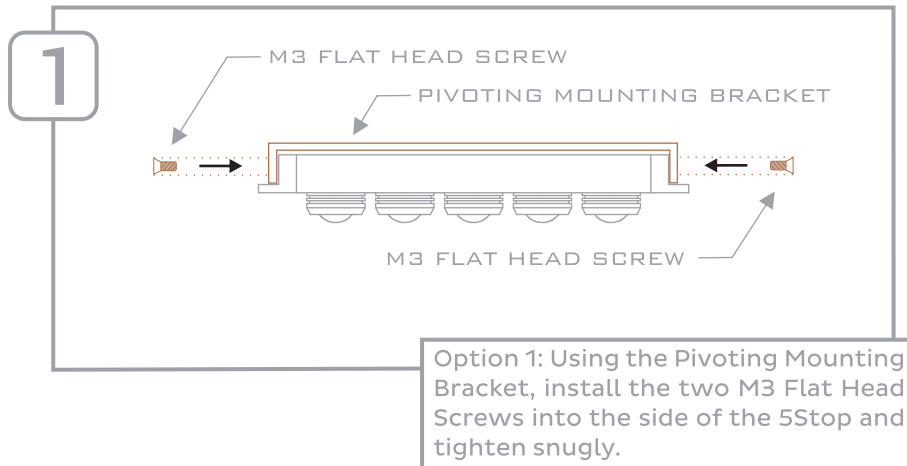


WARNING: By reading this document, I agree it is only to be used as an educational guide. Morimoto Lighting makes no guarantee on any finished results, nor are they to be held responsible for any damage, misuse, or personal injuries. Use at your own risk. If you are unable to clearly understand and adapt the information below, professional installation is recommended.

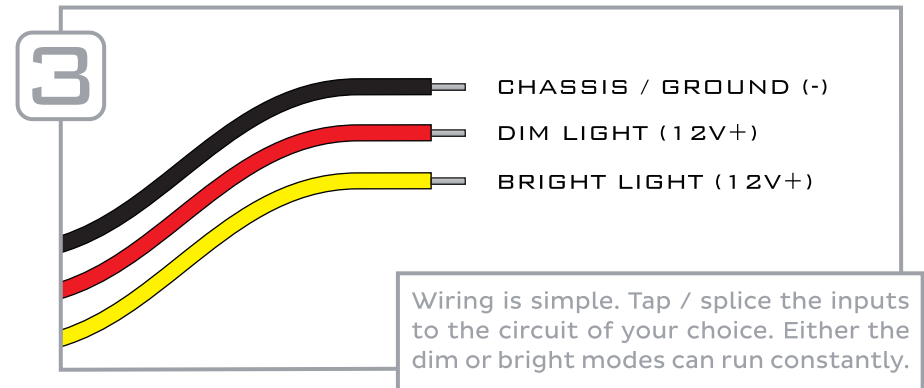
KIT CONTENTS

-  1X 5STOP BRAKE LIGHT
-  1X PIVOTING MOUNTING BRACKET
-  2X M5 X 19MM THREADED ROD
-  2X M5 WASHER
-  2X M5 NUT
-  2X M3 FLAT HEAD SCREW

MOUNTING OPTIONS



WIRING SCHEMATIC



-END-