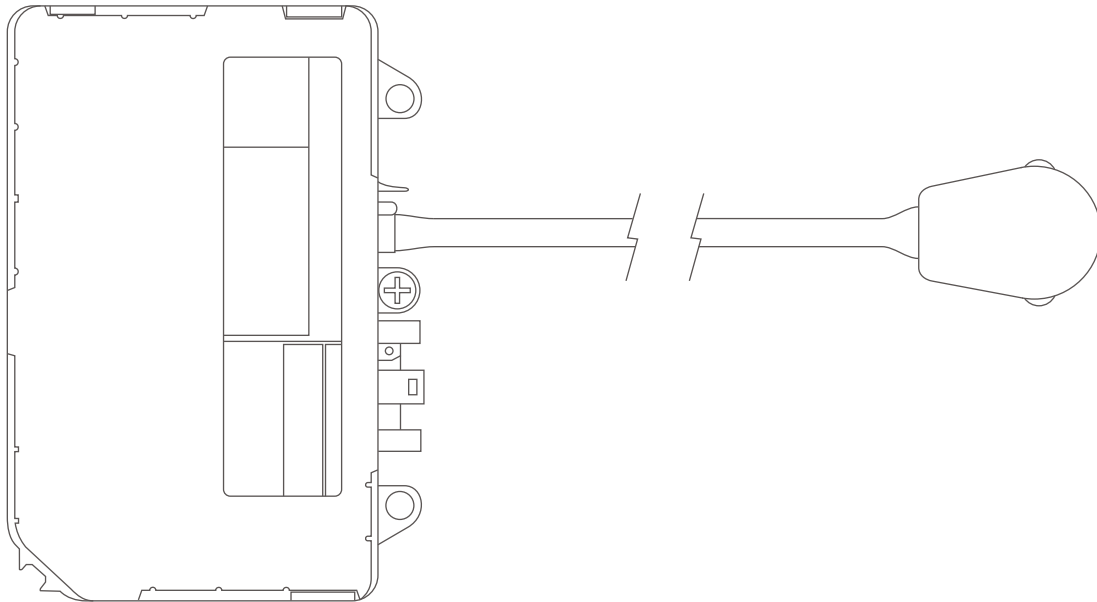




**THE RETROFIT SOURCE**

*Innovative Headlight Upgrades*



INSTALLATION GUIDE

# DENSO D2S BALLASTS



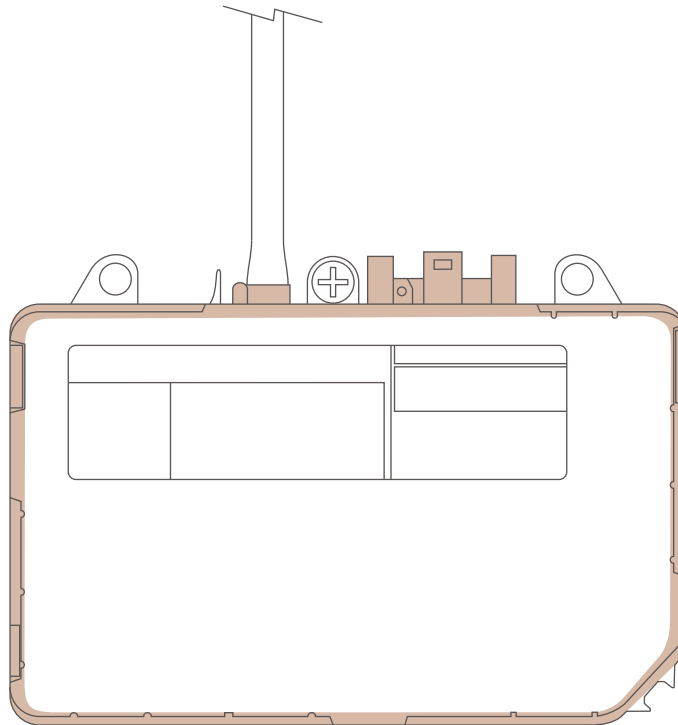
**WARNING:** By reading this document, I agree it is only to be used as an educational guide. The Retrofit Source makes no guarantee on any finished results, nor are they to be held responsible for any damage, misuse, or personal injuries. Use at your own risk. If you are unable to clearly understand and adapt the information below to your own application, professional installation is recommended.



As they come, the Denso D2S Ballasts are not waterproof. In their original application, they affix to a seal against the headlight housing to remain water-resistant. Use in any other application than an original replacement part will require additional waterproofing. Any water penetration into the ballast is not covered under warranty.

## WATER-SUSCEPTIBLE AREAS

---



Areas of possible water penetration. Latex sealant recommended.